

## MC68HC11EA9 (2D47J; 1D47J)

- 1 step: Remove MCU from target board
- 2 step: Insert MCU on the programming adapter according to the 1-st pin orientation
- 3 step: Power ON power supply source
- 4 step: Start HC11programmer.exe
- 5 step: Select Device MC68HC11EA9 (2D47J)
- 6 step: Choose Read docking then click Start button



Figure 1 (Step 2 , 1-st pin orientation)

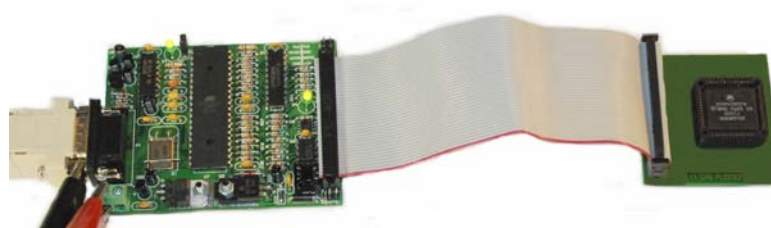


Figure 2 (On board connection)

The protection will remind until the next **POWER-ON ONLY!**  
Note: 1D47J and 2D47J mask sets bootloader with security, ISP mode not suitable for first time access, because after reset EEPROM will erase completely. 11EA9 PLCC52 programming adapter designed for On board programming mode.

# MC68HC11EA9 (0D46J)

- 1 step: Attach ISP connector to target EWS board
- 2 step: Make sure about MODA, MODB, Rx, Tx, GND, VCC, Reset pins. All of these must be attached according to special bootstrap mode pin configuration (MODA,B = 0)
- 3 step: Power ON power supply source on programming tool
- 4 step: Start HC11programmer.exe
- 5 step: Select Device MC68HC11EA9 (2D47J)
- 6 step: Choose Read docking then click Start button

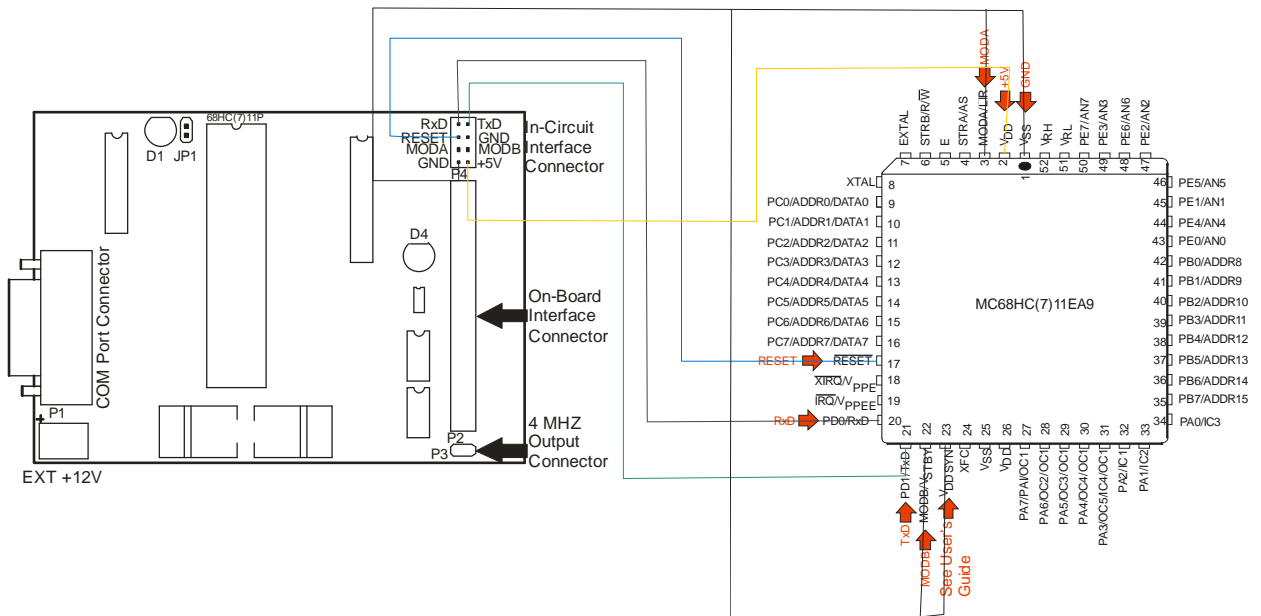


Figure 3 (Step 2)

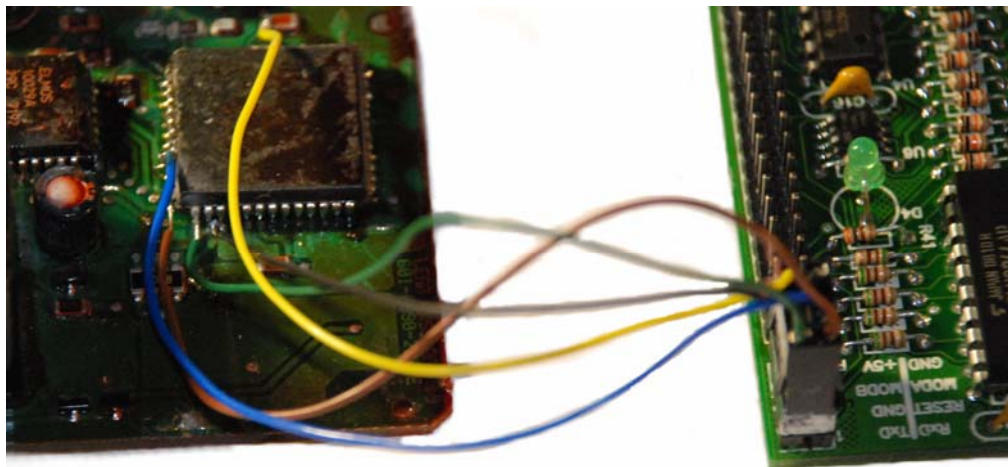


Figure 4 (ISP connection)

Note: 0D46J mask set bootloader without security. ISP most suitable to access device.